



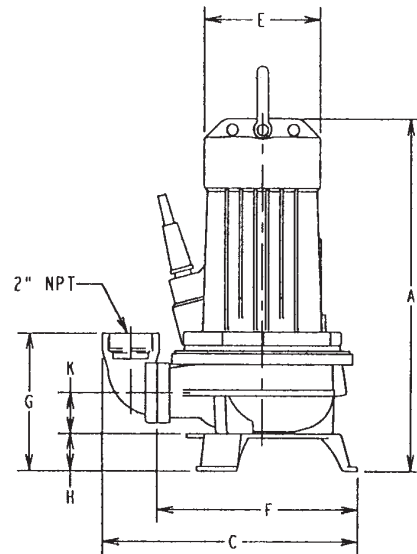
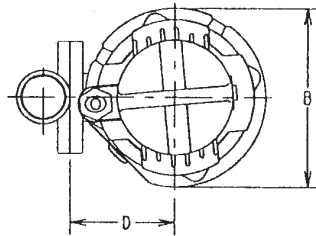
ITT

D2GV

Wastewater

Goulds Pumps

2GV Submersible Vortex Sewage Pumps DIMENSIONS



Part No.	A	B	C	D	E	F	G	H	K
2GVA72A_	17.56" (446)	9.44" (240)	13.38" (340)	5.50" (140)	4.75" (120)	10.62" (270)	7.25" (184)	2.00" (50)	2.12" (54)
2GVA71B_	18.56" (471)	9.44" (240)	13.38" (340)	5.50" (140)	5.31" (135)	10.62" (270)	7.25" (184)	2.00" (50)	2.12" (54)
2GVA71D_	18.56" (471)	9.44" (240)	13.38" (340)	5.50" (140)	5.31" (135)	10.62" (270)	7.25" (184)	2.00" (50)	2.12" (54)
2GVA71F_	18.56" (471)	9.44" (240)	13.38" (340)	5.50" (140)	5.94" (150)	10.62" (270)	7.25" (184)	2.00" (50)	2.12" (54)

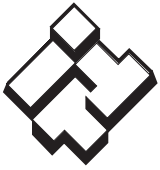
NOTE: Pump supplied with discharge elbow and support ring/foot as standard.



www.goulds.com

Goulds Pumps is a brand of ITT Corporation.

Engineered for life



ITT

Wastewater



Goulds Pumps and the ITT Engineered Blocks Symbol are registered trademarks and tradenames of ITT Corporation.
SPECIFICATIONS ARE SUBJECT TO CHANGE WITHOUT NOTICE.

D2GV October, 2008

Copyright (c) 2008 ITT Corporation

Engineered for life