



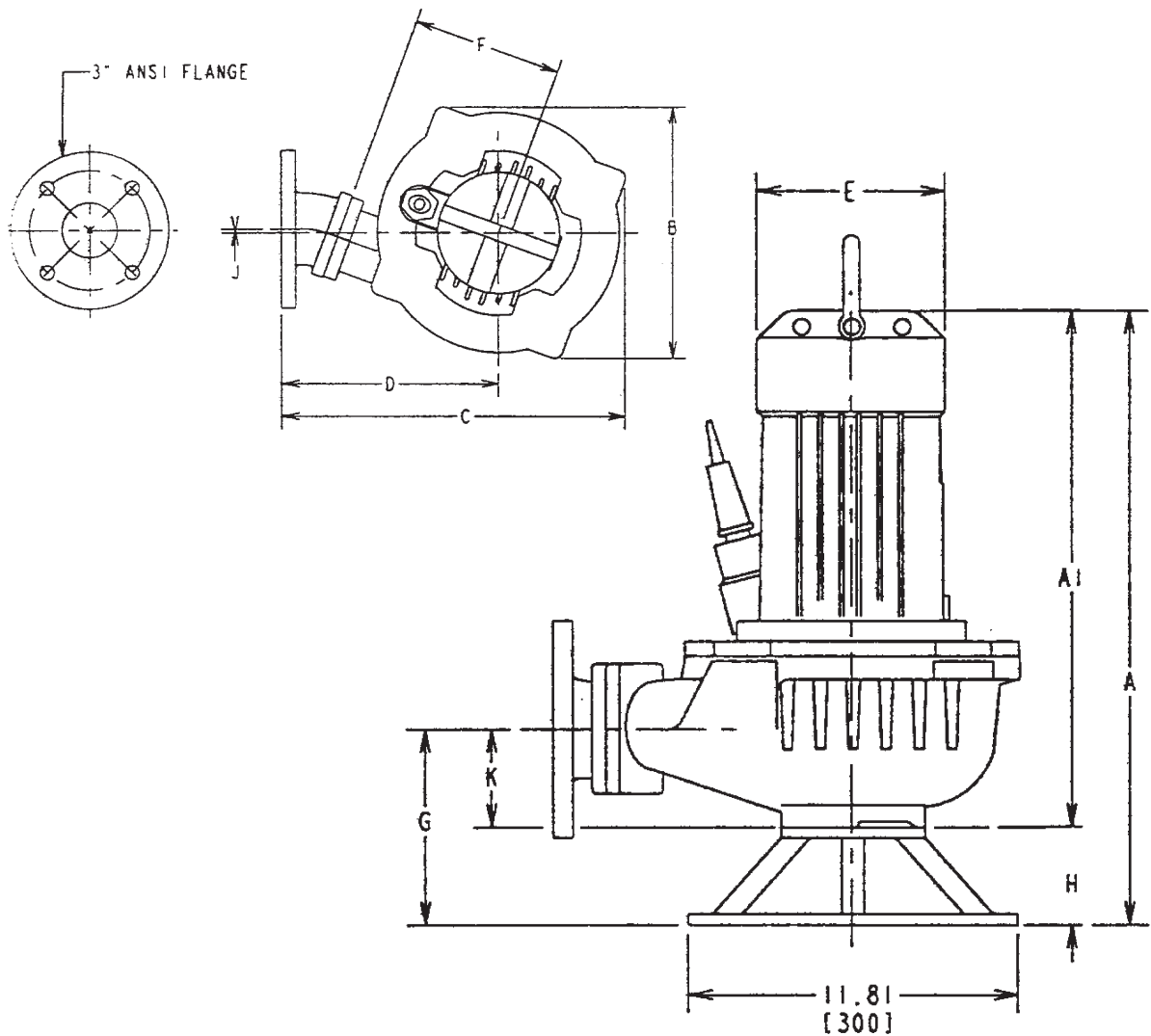
ITT

D3GV

Wastewater

Goulds Pumps

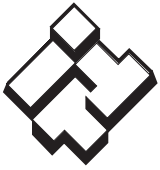
3GV Submersible Vortex Sewage Pumps
DIMENSIONS



www.goulds.com

Goulds Pumps is a brand of ITT Corporation.

Engineered for life



ITT

Wastewater

Part No.	A/A1	B	C	D	E	F	G	H	J	K
3GVA72B_	20.06" (510) 18.12" (460)	9.44" (240)	13.38" (340)	8.62" (219)	5.31" (135)	5.50" (140)	4.94" (125)	2.00" (50)	0.31" (8)	2.94" (75)
3GVA72C_	20.06" (510) 18.12" (460)	9.44" (240)	13.38" (340)	8.62" (219)	5.31" (135)	5.50" (140)	4.94" (125)	2.00" (50)	0.31" (8)	2.94" (75)
3GVB72A_	19.06" (485) 17.12" (435)	9.44" (240)	13.38" (340)	8.62" (219)	4.75" (120)	5.50" (140)	4.94" (125)	2.00" (50)	0.31" (8)	2.94" (75)
3GVB72C_	22.25" (565) 18.69" (475)	12.62" (320)	16.94" (430)	10.62" (270)	5.31" (135)	7.50" (190)	7.38" (187)	3.56" (90)	0.19" (5)	3.81" (97)
3GVB72E_	22.25" (565) 18.69" (475)	12.62" (320)	16.94" (430)	10.62" (270)	5.94" (150)	7.50" (190)	7.38" (187)	3.56" (90)	0.19" (5)	3.81" (97)
3GVB71B_	20.06" (510) 18.12" (460)	9.44" (240)	13.38" (340)	8.62" (219)	5.31" (135)	5.50" (140)	4.94" (125)	2.00" (50)	0.31" (8)	2.94" (75)
3GVB71D_	20.06" (510) 18.12" (460)	9.44" (240)	13.38" (340)	8.62" (219)	5.31" (135)	5.50" (140)	4.94" (125)	2.00" (50)	0.31" (8)	2.94" (75)
3GVB71F_	20.06" (510) 18.12" (460)	9.44" (240)	13.38" (340)	8.62" (219)	5.94" (150)	5.50" (140)	4.94" (125)	2.00" (50)	0.31" (8)	2.94" (75)
3GVB72G4AF_	26.23" (666) 22.50" (572)	11.88" (302)	17.01" (432)	10.53" (267)	7.12" (181)	7.38" (187)	7.01" (178)	3.54" (90)	0 (0)	3.50" (89)
3GVB72H4AF_	26.23" (666) 22.50" (572)	11.88" (302)	17.01" (432)	10.53" (267)	7.12" (181)	7.38" (187)	7.01" (178)	3.54" (90)	0 (0)	3.50" (89)
3GVB71G4AF_	26.23" (666) 22.50" (572)	11.88" (302)	17.01" (432)	10.53" (267)	7.12" (181)	7.38" (187)	7.01" (178)	3.54" (90)	0 (0)	3.50" (89)
3GVB71J4AF_	28.64" (727) 22.50" (572)	11.88" (302)	17.01" (432)	10.53" (267)	7.12" (181)	7.38" (187)	7.01" (178)	3.54" (90)	0 (0)	3.50" (89)
3GVB71L4AF_	28.64" (727) 22.50" (572)	11.88" (302)	17.01" (432)	10.53" (267)	8.5 (216)	7.38" (187)	7.01" (178)	3.54" (90)	0 (0)	3.50" (89)

NOTE: Support ring/foot available as accessory item.



Goolds Pumps and the ITT Engineered Blocks Symbol are registered trademarks and tradenames of ITT Corporation.

SPECIFICATIONS ARE SUBJECT TO CHANGE WITHOUT NOTICE.

D3GV October, 2008

Copyright (c) 2008 ITT Corporation

Engineered for life