



**ITT**

RLC

Commercial Water

# **Goulds Pumps**

LC Repair Parts



Goulds Pumps is a brand of ITT Corporation.

[www.goulds.com](http://www.goulds.com)

*Engineered for life*

### LC REPAIR PARTS TABLE

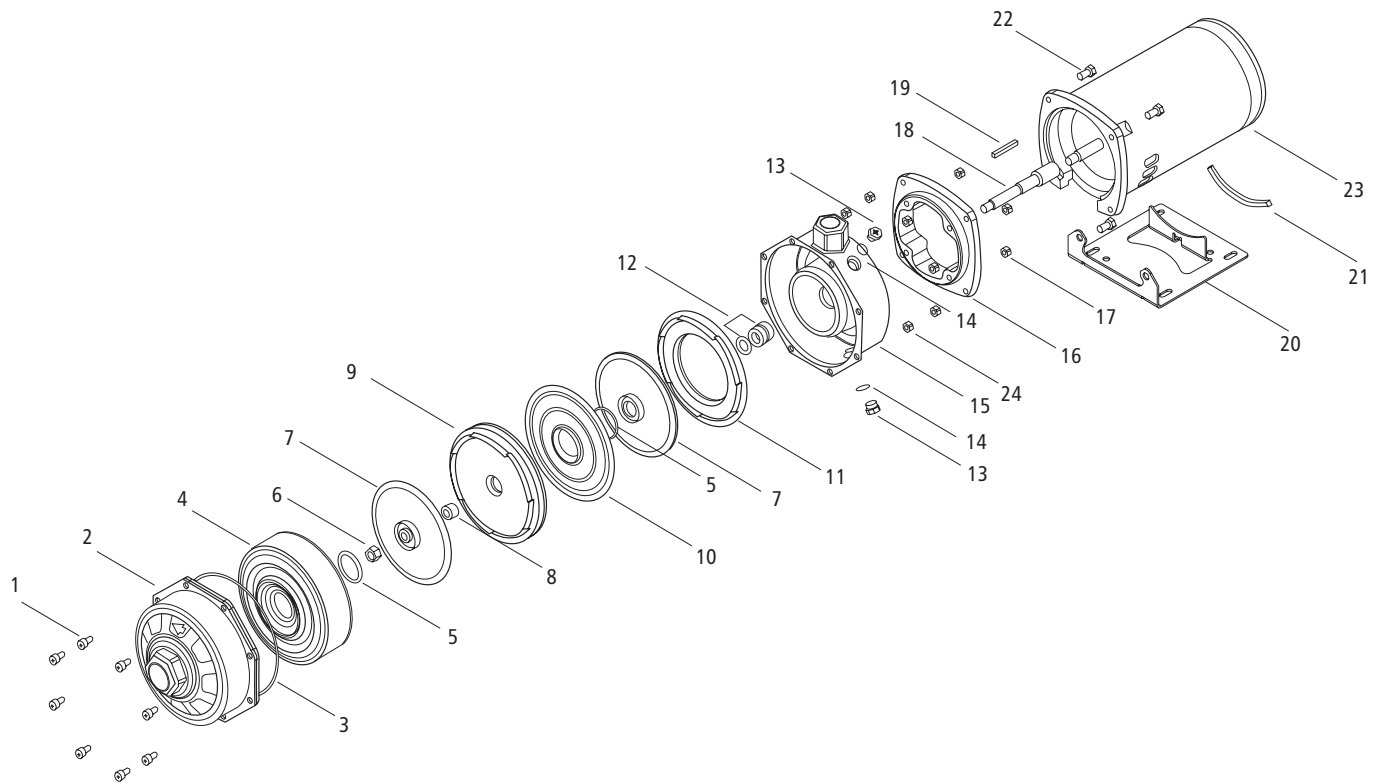
Item No.	Part Description	Material	Repair Part No.			Quantity
			LCA	LCB	LCC	
1	Screw, Casing	400SS	13K283			8
2	Pump casing, suction	304SS	1L11		1L13	1
3	O-Ring, Casing	Viton	5K266 ③			1
		Optional EPR	5K267 ②			
		Optional BUNA	5K178 ①			
4	Diffuser Cover, first stage	304SS	3L5		3L8	1
5	O-ring, Impeller	Viton	5K269		5K270	2
		Optional EPR	5K273		5K274	
		Optional BUNA	5K271		5K272	
6	Impeller Nut	304SS/Nylon	13K365			1
7 ④	(2) Impellers with Buna O-Ring ①	304SS	2L907	2L910	2L913	1 kit
	(2) Impellers with EPR O-Ring ②	304SS	2L908	2L911	2L914	
	(2) Impellers with Viton O-Ring ③	304SS	2L909	2L912	2L915	
8	Impeller Spacer	304SS	4L14			1
9	Diffuser, intermediate	304SS	3L13		3L14	1
10	Diffuser Cover, last stage	304SS	3L15		3L16	1
11	Diffuser, last stage	304SS	3L9		3L11	1
12	Mechanical Seal	Varies	See Mechanical Seal application chart			1
13	Fill and Drain Plug	304SS	6L3			1 each
14	O-ring, fill and drain plug	Viton	5L99			1 each
15	Pump Body with plug	304SS	* 1L553			1
16	Motor Adapter	Cast Iron	* 1K454			1
17	Locknut, motor adapter to pump	Steel	* 13K351			4
18	Shaft, pump	304SS	4K649			1
19	Key, impeller	304SS	4L16			1
20	Foot, pump	Steel	4K450			1
21	Spacer	Rubber	9K188			1
22	Screw, motor to motor adapter	Steel	13K194			4
23	Motor, 3ph ODP	303SS	SFE08874S	SFE09874S	SFE10774S	1
	Motor, 1ph ODP		SFE08854S	SFE09854S	SFE10754S	
	Motor, 3ph TEFC		SFE08876S	SFE09876S	NA	
	Motor, 1ph TEFC		SFE08821S	SFE09821S	NA	
24	Nut, casing screw	304SS	13K282			8

④ New impellers require the new casing o-ring.

### MECHANICAL SEAL APPLICATION CHART

Rotary	Stationary	Elastomer	Metal Parts	Part No.
Carbon	Ceramic	Viton	316SS	10K92
	Silicon Carbide			10K87
Silicon Carbide	10K88			
Carbon	Silicon Carbide	EPR		

\* For pumps built before Sn# H0246002, use 1L531 – pump body, 1K614 – motor adapter and 13K281 – screw (qty. 4).





**ITT**

**2881 East Bayard Street, Seneca Falls, NY 13148**

**Phone: (315) 568-7123 • Fax: (315) 568-7973**

**[www.goulds.com](http://www.goulds.com)**

Goulds Pumps is a registered trademark of ITT Corporation. ITT, the Engineered Blocks Symbol and Engineered for Life are registered trademarks of ITT Manufacturing Enterprises, Inc.

Copyright © 2010 ITT Corporation RLC June, 2010 Printed in U.S.A.  
SPECIFICATIONS ARE SUBJECT TO CHANGE WITHOUT NOTICE.

