

Products : [Ball Valves](#) : [Bronze](#) : [Two-Piece](#) : [77C-100 \(1/4" to 2'\)](#)

[technical search](#) ▶

[GO](#)

77C-100 (1/4" to 2') Two-Piece Threaded Bronze Ball Valve

Sizes: 1/4" to 2'
Ends: Threaded

◀ [Previous Page](#)

[Features](#) >

[Materials List](#) >

[Dimensions](#) >

 [IOM Download Sheet](#) >

 [PDF Technical Sheet](#) >

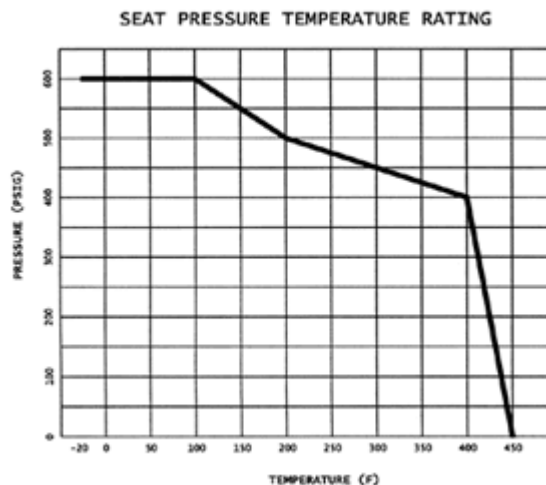


Features

- Machined Solid Chrome-Plated Ball
- Multi-Fill PTFE Seats & Seals
- Adjustable Packing
- Blow-out Proof Stem Design
- U.S. Made Bronze Castings
- Vacuum Service to 29 in. Hg
- Full Port Design Through 2"
- Available with stainless steel ball and stem as 77C -140 Series

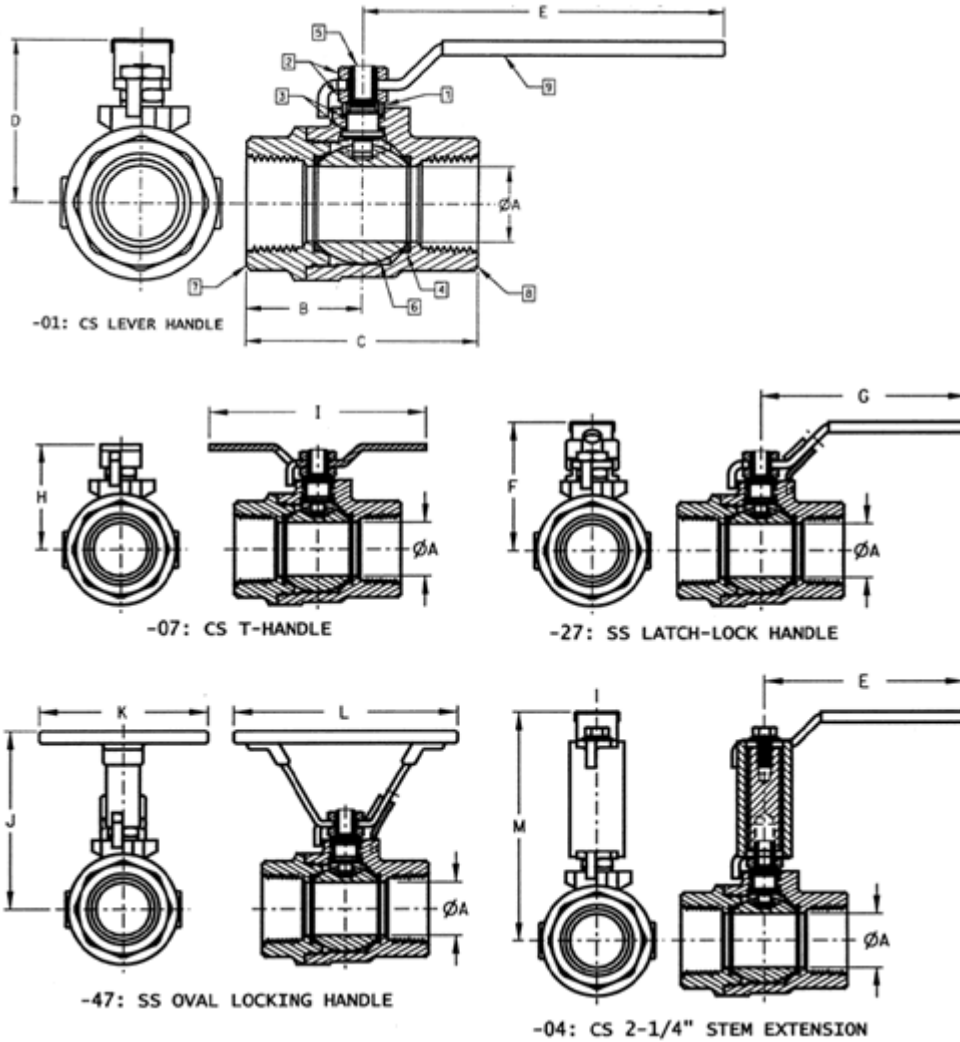
Materials

Part	Material
1. Gland	B16 Brass
2. Nut	CS/SS
3. Packing	MPTFE
4. Seat	MPTFE
5. Stem	B16 Brass
6. Ball	B16 Brass (Chromium Plated)
7. Retainer	B584 Bronze
8. Body	B584 Bronze



9. Handle | SS/CS/Vinyl

[Back to top]



Dimensions

Part No.	Size in./mm	A in./mm	B in./mm	C in./mm	D in./mm	E in./mm	F in./mm	G in./mm	H in./mm
77C-101	1/4 8	0.370 9.398	0.950 24.130	1.970 50.038	1.760 44.704	3.740 94.996	1.860 47.244	4.060 103.124	1.410 35.814
77C-102	3/8 10	0.370 9.398	1.070 27.178	2.090 53.086	1.760 44.704	3.740 94.996	1.860 47.244	4.060 103.124	1.410 35.814
77C-103	1/2 15	0.500 12.700	1.150 29.210	2.250 57.150	1.790 45.466	3.740 94.996	1.890 48.006	4.060 103.124	1.440 36.576
77C-	3/4	0.750	1.320	2.650	2.000	4.880	2.200	5.030	1.760

104	20	19.050	33.528	67.310	50.800	123.952	55.880	127.762	44.704
77C-105	1 25	1.000 25.400	1.530 38.862	3.070 77.978	2.190 55.626	4.880 123.952	2.390 60.706	5.030 127.762	1.960 49.784
77C-106	1-1/4 32	1.250 31.750	2.040 51.816	4.080 103.632	3.130 79.502	7.060 179.324	3.760 95.504	7.190 182.626	2.820 71.628
77C-107	1-1/2 40	1.500 38.100	2.210 56.134	4.430 112.522	3.290 83.566	7.060 179.324	3.920 99.568	7.190 182.626	2.980 75.692
77C-108	2 50	2.000 50.800	2.760 70.104	5.290 134.366	3.830 97.282	7.060 179.324	4.460 113.284	7.190 182.626	3.520 89.408
Part No.	Size in./mm	I in./mm	J in./mm	K in./mm	L in./mm	M	CV	Weight	
77C-101	1/4 8	3.500 88.900	2.800 71.120	3.120 79.248	4.120 104.648	3.860	4.500	0.600	
77C-102	3/8 10	3.500 88.900	2.800 71.120	3.120 79.248	4.120 104.648	3.860	7.200	0.600	
77C-103	1/2 15	3.500 88.900	2.830 71.882	3.120 79.248	4.120 104.648	3.890	15.500	0.600	
77C-104	3/4 20	4.000 101.600	3.120 79.248	3.120 79.248	4.120 104.648	4.100	35.600	1.100	
77C-105	1 25	4.000 101.600	3.320 84.328	3.120 79.248	4.120 104.648	4.290	68.100	1.800	
77C-106	1-1/4 32	6.000 152.400	-	-	-	5.230	125.000	4.400	
77C-107	1-1/2 40	6.000 152.400	-	-	-	5.390	177.000	5.900	
77C-108	2 50	6.000 152.400	-	-	-	5.930	389.000	11.400	

[\[Back to top\]](#)